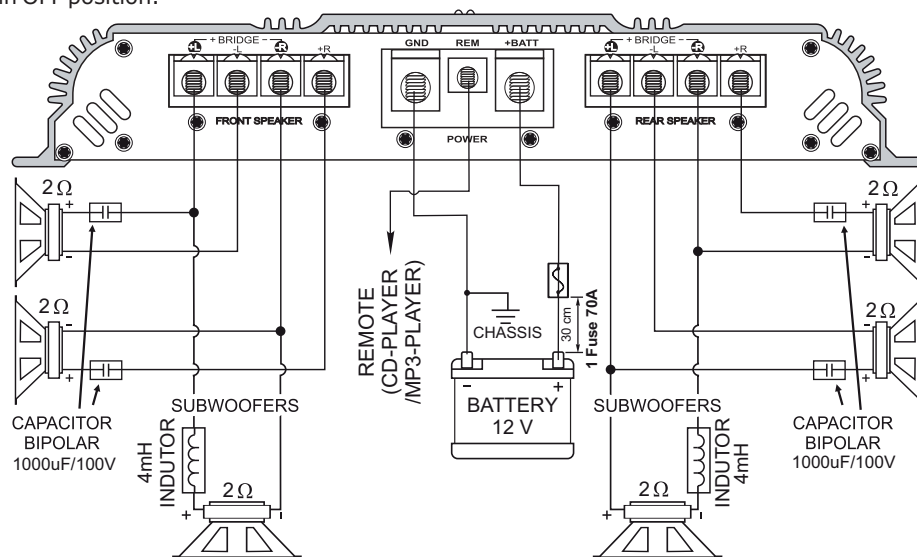


## TRI MODE

The Tri Mode allows the stereo and the bridge to be ON simultaneously. This way the switches are kept in OFF position.



# VENOM LINE

## USER'S GUIDE

### SYSTEM TROUBLESHOOTING "LED"

**BLINKS**                      **PROBLEM**                      **SOLUTION**

1



**Short-circuit or overload in the output.**

**Verify if the speaker cables are properly isolated, observe the minimal impedance.**

2



**Excessive temperature.**

**Verify if the amplifier is in a vented spot.**

**Note:** If only the RED LED blinks (BLUE LED OFF), turn on the device with the volume of CD/MP3-player down. If the problem persists, please contact us.

### HOW TO ACT IN CASE OF PROBLEMS

#### NOT TURN ON:

- The cables are not correctly connected (terminals BAT, GND and REM). Make sure that all connections has mechanical and electrical contact.
- Fuses/circuit breakers (external) are defective or burned. Take care about the correct value of the new fuse!

#### NO SOUND:

- The cables of speakers or plugs RCA are not connected correctly.
- Check if the LEVEL control is not in the minimum.

#### NO SOUND / RED LED (PROTECTION) ILLUMINATED:

- Speakers or cables (damaged), so, check speakers, cables and connections.
- Check the battery charge.

#### BAD SOUND QUALITY (DISTORTION):

- The speakers are overloaded, so, decrease the level and redo the gain adjustment (see item 2/general description).

#### WEAK BASS:

- Cables of speakers (+) and (-) are changed, speakers out of phase (see item 5/general description).

# HALF BRIDGE

# V 1300.4

# V 1800.4

MODEL:	V 1300.4 - 2 OHMS	V 1800.4 - 2 OHMS
Channels:	4	4
Power @ 13.8V Stereo 2Ω:	4 x 400 Watts RMS	4 x 500 Watts RMS
Power @ 13.8V Stereo 4Ω:	4 x 260 Watts RMS	4 x 290 Watts RMS
Power @ 13.8V Bridge 4Ω:	2 x 760 Watts RMS	2 x 1000 Watts RMS
Power @ 12.6V Stereo 2Ω:	4 x 325 Watts RMS	4 x 450 Watts RMS
Power @ 12.6V Stereo 4Ω:	4 x 220 Watts RMS	4 x 280 Watts RMS
Power @ 12.6V Bridge 4Ω:	2 x 650 Watts RMS	2 x 900 Watts RMS
Minimum Output Impedance:	2 Ohms	2 Ohm
Input Impedance:	15K Ohms	15K Ohms
Minimum Input Sensitivity:	0,2V	0,2V
Total Harmonic Distortion:	0,9 % THD	< 0,9 % THD
Signal to Noise:	> 90 dB	> 90 dB
Crossover HIGH PASS:	70 Hz to 700 Hz	70 Hz to 700 Hz
Crossover LOW PASS:	40 Hz to 700 Hz	40 Hz to 700 Hz
Frequency Resp. (-3dB) @ 2 Ω:	10 Hz to 22 KHz	10 Hz to 22 KHz
Power:	9,5 to 15V	9,5 to 15V
Consumption Music Signal:	65A	65A
Consumo BASS Signal:	130A	130A
Dimensions (A x L x C):	40x240x365 mm	40x240x365 mm
Weght:	3,0 Kg	3,0 Kg

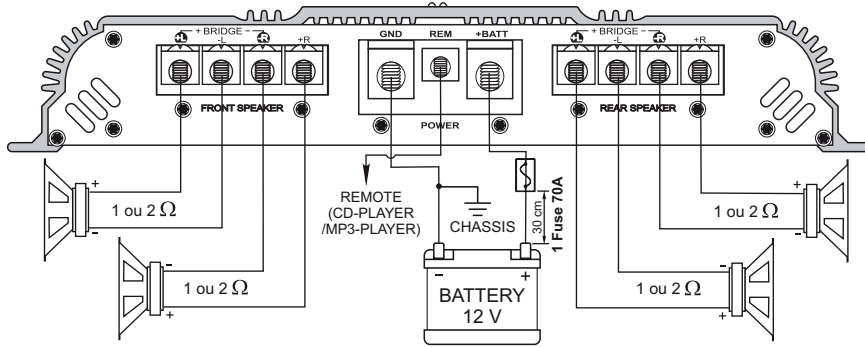
## INSTALLATION OUTPUT OF SPEAKERS

The amplifier can work with 2, 3 or 4 independent channels the speaker impedance varies from 1 to 4 ohms according to the chosen mode. Be aware of the correct polarity when installing the speakers.

The speaker power must be at least the same as the power delivered by amplifier channel. Notice that the power output is stronger in 1 Ohm speakers and weaker in 2 Ohms speakers. When using the BRIDGE connection, the power will also be stronger than in stereo mode. Use 4 mm<sup>2</sup> gauge cables with up to 3m length.

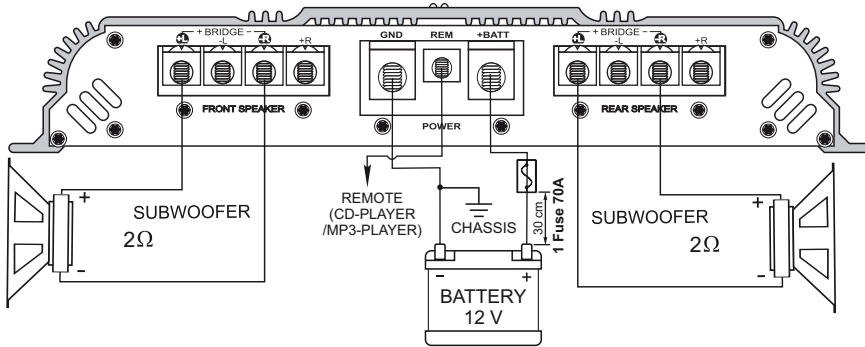
### 4 CHANNELS MODE

The minimum required speakers impedance is 1 Ohm for each channel; a 2 Ohms one is acceptable though. The connections in 4 channels mode are: :



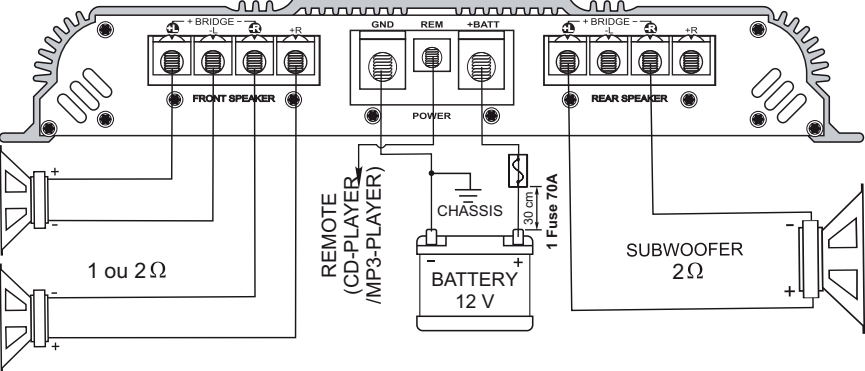
### 2 CHANNELS MODE (BRIDGE)

The amplifier can work in the bridge mode getting the power of 1 channel together in a single speaker. The minimum speaker impedance must be 2 Ohms.



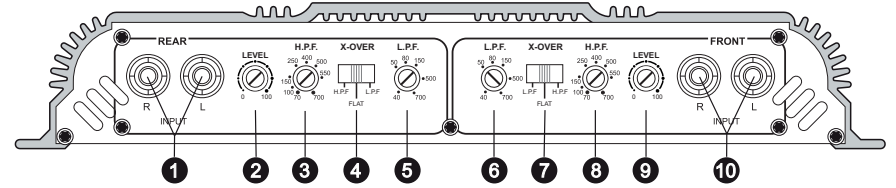
### 3 CHANNELS MODE (2 STEREO + 1 BRIDGE)

It is suggested when a complete system using only one amplifier is desired. The minimum impedance required for the front speakers is 1 ohm for each channel, a 2 ohms one is acceptable though. The minimum subwoofer impedance must be 2 ohms.

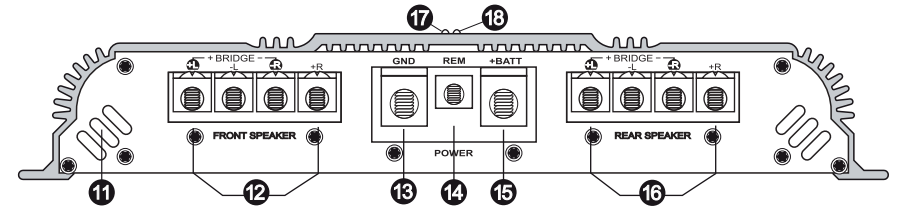


## OVERVIEW

### AUDIO INPUT AND CONTROLS



### OUTPUT AMPLIFIED AUDIO AND POWER INPUT.



**1/10) INPUT – RCA R and L:** This entry should receive the signal via RCA cable that should be connected to the output RCA of CD/MP3-player. **(1 REAR / 10 FRONT)**

**2/9) LEVEL – GAIN CONTROL:** Controls the level of the input signal, allowing a proper adjustment to any CD/MP3-player of the market. Can be regulated as follows:

a) at CD/MP3-player, put any musical signal and set the volume at 80% max.

For example: if the maximum volume of your CD/MP3-player is 45 (100%) , set to 36 (80%).

b) at amplifier, from the LEVEL in the minimum, increase gradually until distort the signal.

c) slowly, return LEVEL until the signal is free of distortion. **(2 REAR / 9 FRONT)**

**3/8) HIGH PASS FILTER:** This control varies the filter cut off frequency from 15Hz to 2KHz. This filter allows to pass sounds above the cut off frequency. **(3 REAR / 8 FRONT)**

**4/7) CROSSOVER REAR/FRONT - KEY H.P.F./L.P.F./FLAT:** This switch lets you choose which type of CROSSOVER will be used by channels. **(4 REAR / 7 FRONT)**

**5/6) LOW PASS FILTER:** This control varies the filter cut off frequency from 50Hz to 15KHz. This filter allows to pass sounds below the cut off frequency.

**11) ENTRADA DE AR:** Esta área deve ficar totalmente desobstruída, pois ela é a principal entrada de ar frio do aparelho.

**12/16) SAÍDA P/ ALTO-FALANTES:** Devem ser ligadas aos alto-falantes com cabo paralelo polarizado de bitola 4,0 mm<sup>2</sup> (mínimo). **(12 FRONT / 16 REAR)**

**13) GND – EARTH CONNECTION:** Use cable gauge of 21,0 mm<sup>2</sup> (AWG 4). Plug the cable into the vehicle chassis.

**OBS: Para prevenir ruídos, sempre ligue o fio GND (-) do CD/MP3-player, ou outros aparelhos no mesmo ponto de aterramento do amplificador.**

**14) 6) REM – REMOTE ACTUATION:** Connect the REM terminal to output remote/electrical antenna of your CD/MP3-player. So, when turn on your CD/MP3-player, the amplifier will automatically turn on too. Cable of 0.5 mm<sup>2</sup> is enough.

**15) BAT – POSITIVE:** Connect the terminal (BAT) to the positive pole of battery (+12V) with a cable (gauge at least 21,0 mm<sup>2</sup> (AWG 4)). It is extremely important that use a fuse or breaker protection in this cable with a maximum distance of 30 cm from the battery. short-circuit the terminals of fuse, this may cause irrecoverable damage and loss of warranty.

**18) PROTECTION INDICATOR LED (RED):** This led will light up when:

a) Temperature is higher than allowed.

The sound is turned off: after the cooling-off reset the CD/MP3-PLAYER and the sound will work again.

b) Overload or short circuit in the speakers outputs.

The sound will be turned off so the equipment won't be damaged. Check all the loudspeakers wires to solve the problem. Check the minimum acceptable impedance as well.

**17) ON INDICATOR LED (BLUE):** This led will light up when the equipment is started by an incoming CD/MP3-player remote signal.